

1

2

3

4

5

6

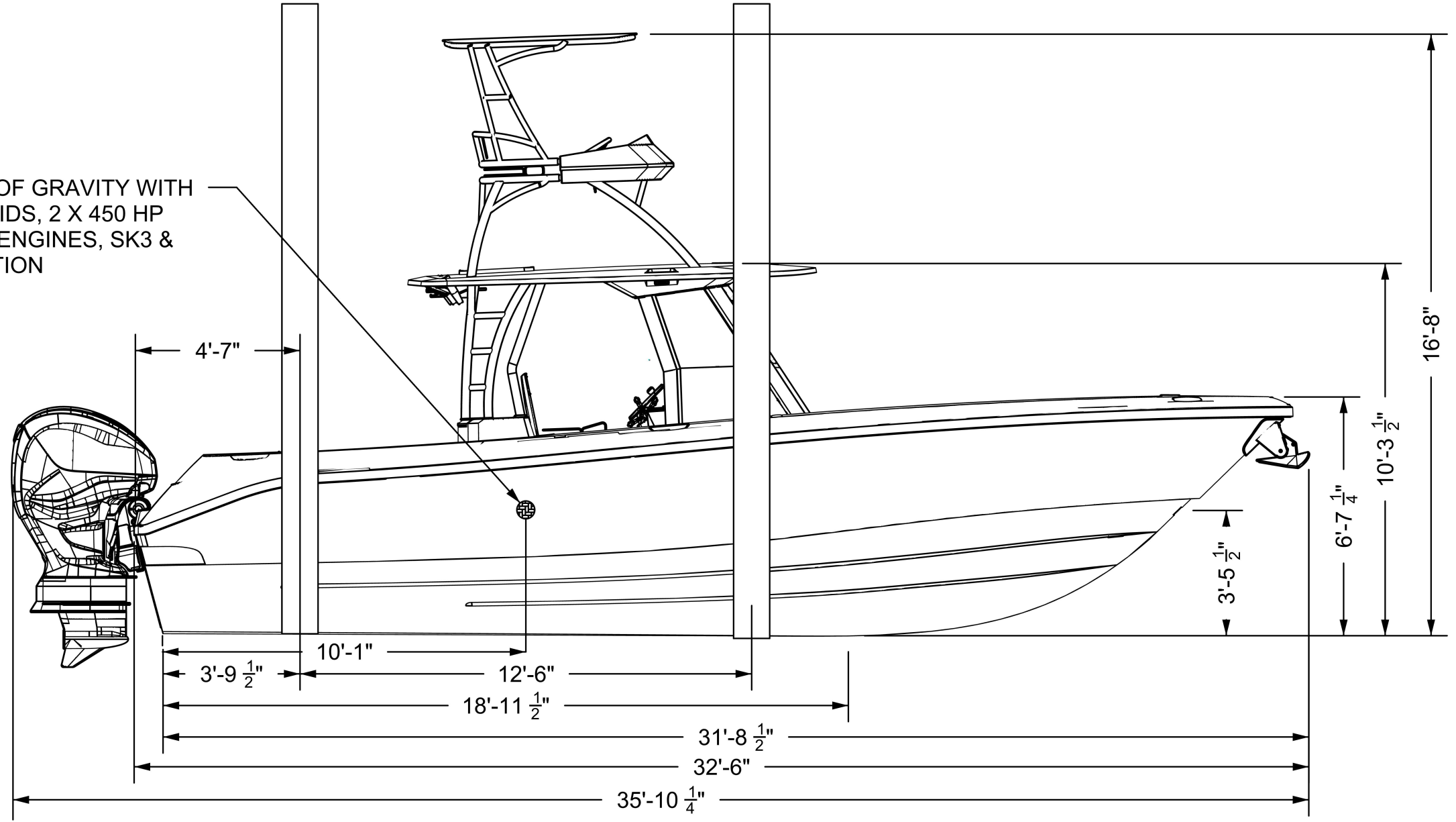
A

B

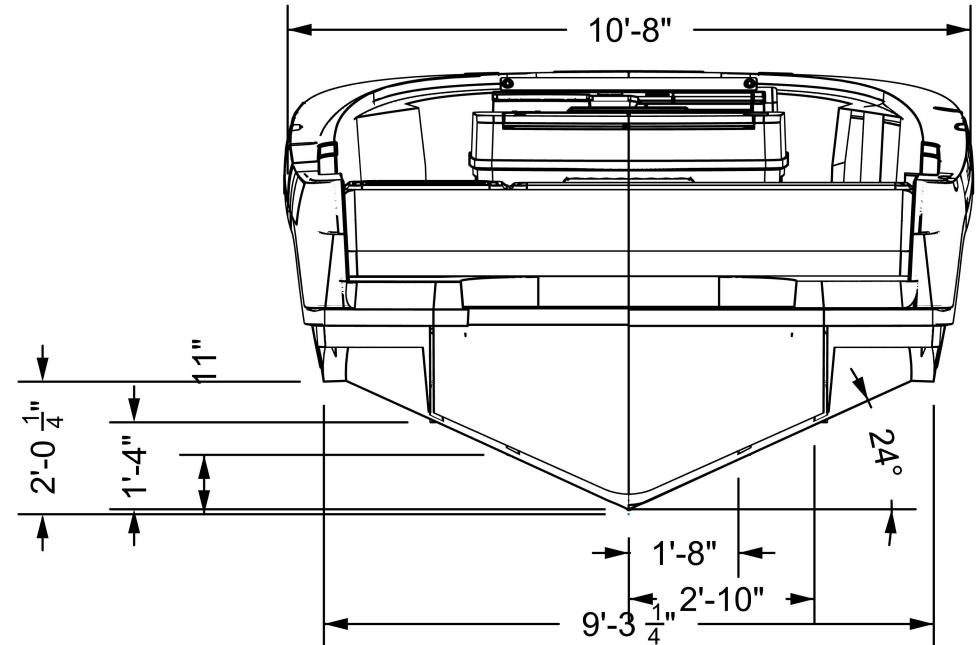
C

D

CENTER OF GRAVITY WITH FULL FLUIDS, 2 X 450 HP YAMAHA ENGINES, SK3 & 2ND STATION



NOTES:
 1) FULL FLUIDS WEIGHT WITH 2 X 450 HP YAMAHA ENGINES, SEAKEEPER 3 & SECOND STATION OPTIONS 15,800 LBS
 2) ACTUAL VESSEL WEIGHT CAN BE DIFFERENT DUE TO CONFIGURATION AND LOADING
 3) STRAKES ARE 2-1/8" WIDE AT AFT END



1

2

3

4

5

6

REV	DESCRIPTION	DATE	APPR BY

EVERGLADES
 RJ Dougherty Associates
 544 S Airpark rd.
 Edgewater, FL 32132-3043
 386-4092202

Drawn by:	M. WATERS
Appr by:	CW
Chkd by:	

Dwg No:	335-M-1
Sheet:	1 OF 2

Scale:	1:1
Date:	9/27/2023

Title:	GRAVING PLAN
Model:	335CC
Part No.:	

1

2

3

4

5

6

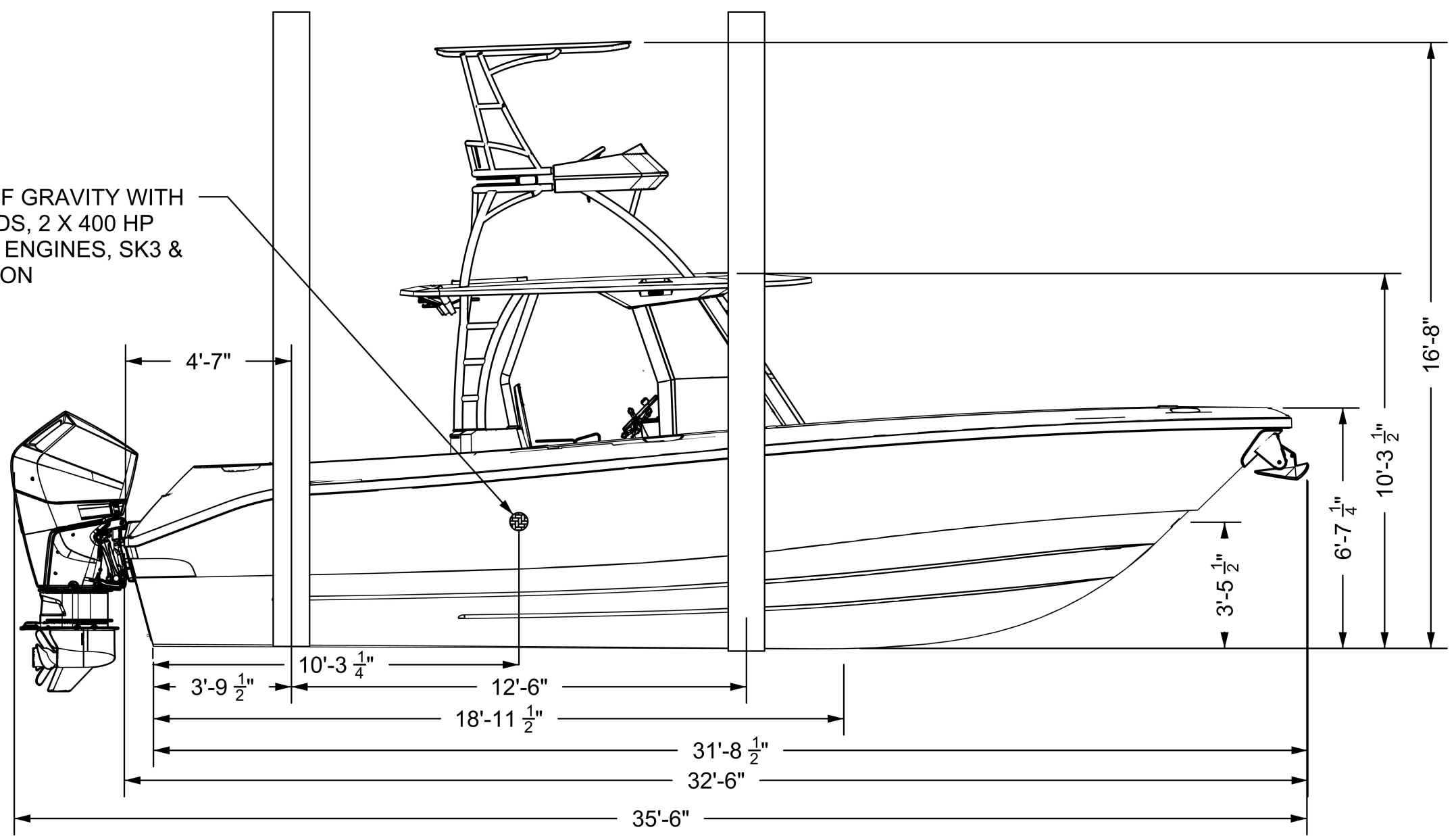
A

B

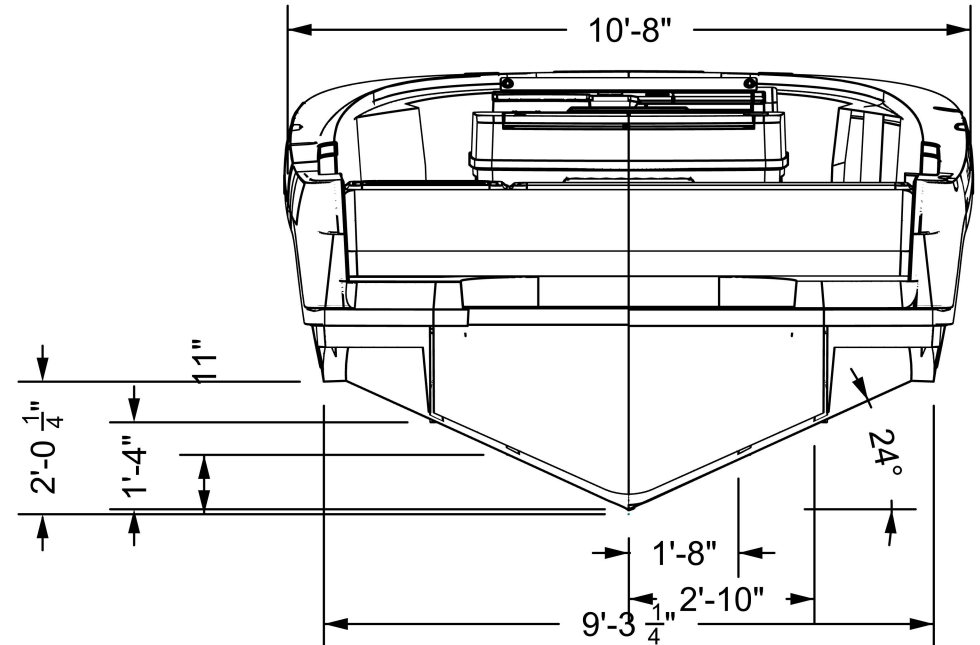
C

D

CENTER OF GRAVITY WITH FULL FLUIDS, 2 X 400 HP MERCURY ENGINES, SK3 & 2ND STATION



NOTES:
 1) FULL FLUIDS WEIGHT WITH 2 X 400 V10 HP MERCURY ENGINES, SEAKEEPER 3 & SECOND STATION OPTIONS 15,400 LBS
 2) ACTUAL VESSEL WEIGHT CAN BE DIFFERENT DUE TO CONFIGURATION AND LOADING
 3) STRAKES ARE 2-1/8" WIDE AT AFT END



1

2

3

4

5

6

REV

EVERGLADES
 RJ Dougherty Associates
 544 S Airpark rd.
 Edgewater, FL 32132-3043
 386-4092202

Drawn by: M. WATERS
 Appr by: CW
 Chkd by:

Dwg No: 335-M-1
 Sheet: 2 OF 2

Scale: 1:1
 Date: 9/27/2023

Title: GRAVING PLAN
 Model: 335CC
 Part No.