

NOTES:
 1) APPROXIMATE DRY WEIGHT WITH TWIN YAMAHA 300HP ENGINES IS 9200 POUNDS
 2) APPROXIMATE WEIGHT WITH FULL FLUIDS WITH OPTIONS IS 11,100 POUNDS
 3) APPROXIMATE LOCATION OF THE CENTER OF GRAVITY WITH FULL FLUIDS IS SHOWN
 4) DRAFT SHOWN AT FULL FLUIDS WITH OPTIONS

REV	DESCRIPTION	DATE	HULL	APPR BY
A	DRY WEIGHT INCREASED TO 9200 LBS FROM 8300 LBS, FULL FLUIDS WEIGHT INCREASED TO 11100 LBS FROM 10,200LBS; UPDATED WATER LINE AND COG, DIMS UPDATED ACCORDINGLY	6/10/22	DV1	ZE

EVERGLADES
 RJ Dougherty Associates
 544 S Airpark rd.
 Edgewater, FL 32132-3043
 386-4092202

Drawn by:	Z. EDMUNDS
Appr by:	CW
Chkd by:	

Dwg No:	285-M-1
Sheet:	1 OF 2

Scale:	1:36
Date:	6/10/2022

Title:	GRAVING PLAN
Model:	285CC
Part No.	

1

2

3

4

5

6

REV A

Everglades

RJ Dougherty Associates
544 S Airpark rd.
Edgewater, FL 32132-3043
386-4092202

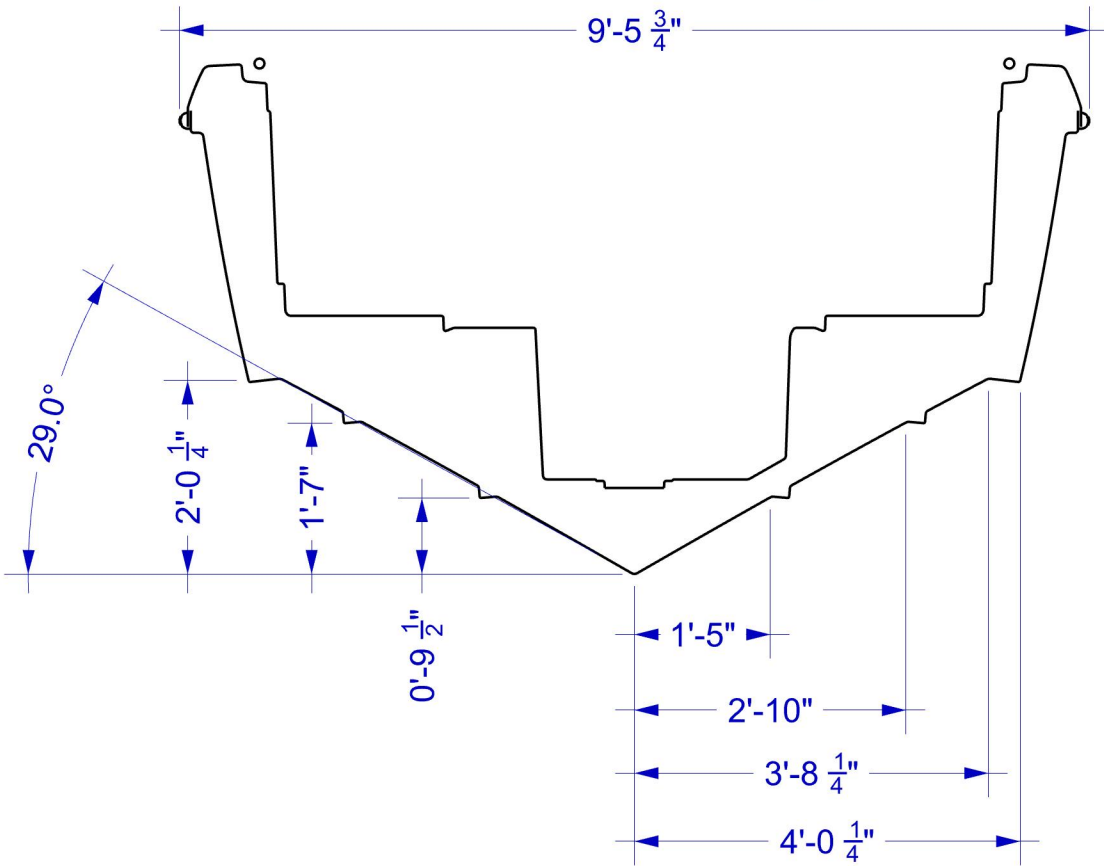
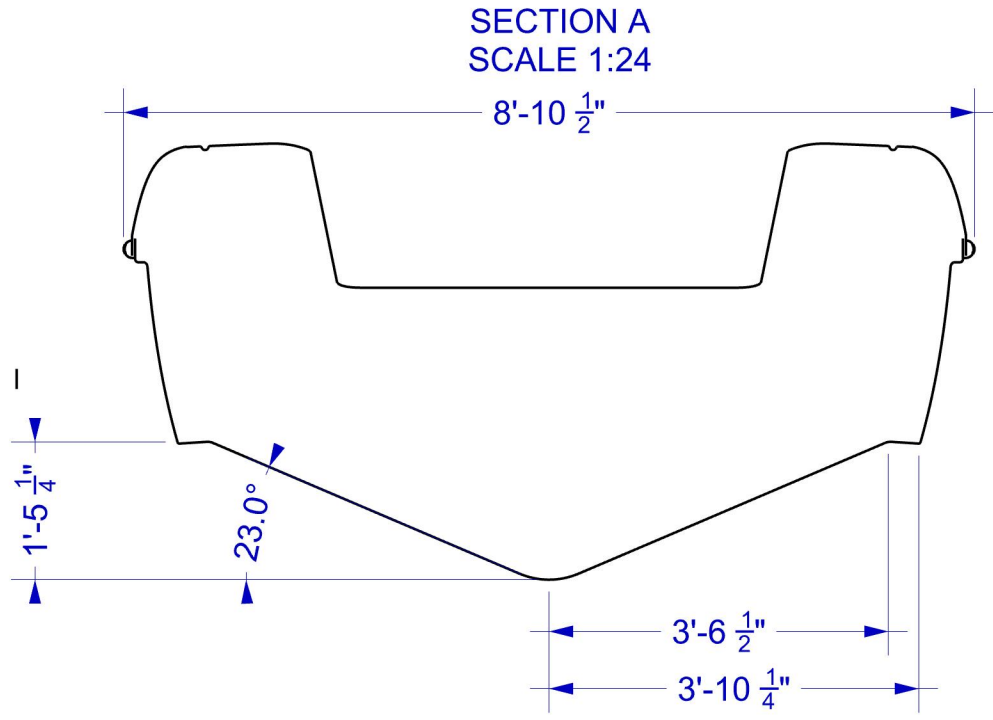
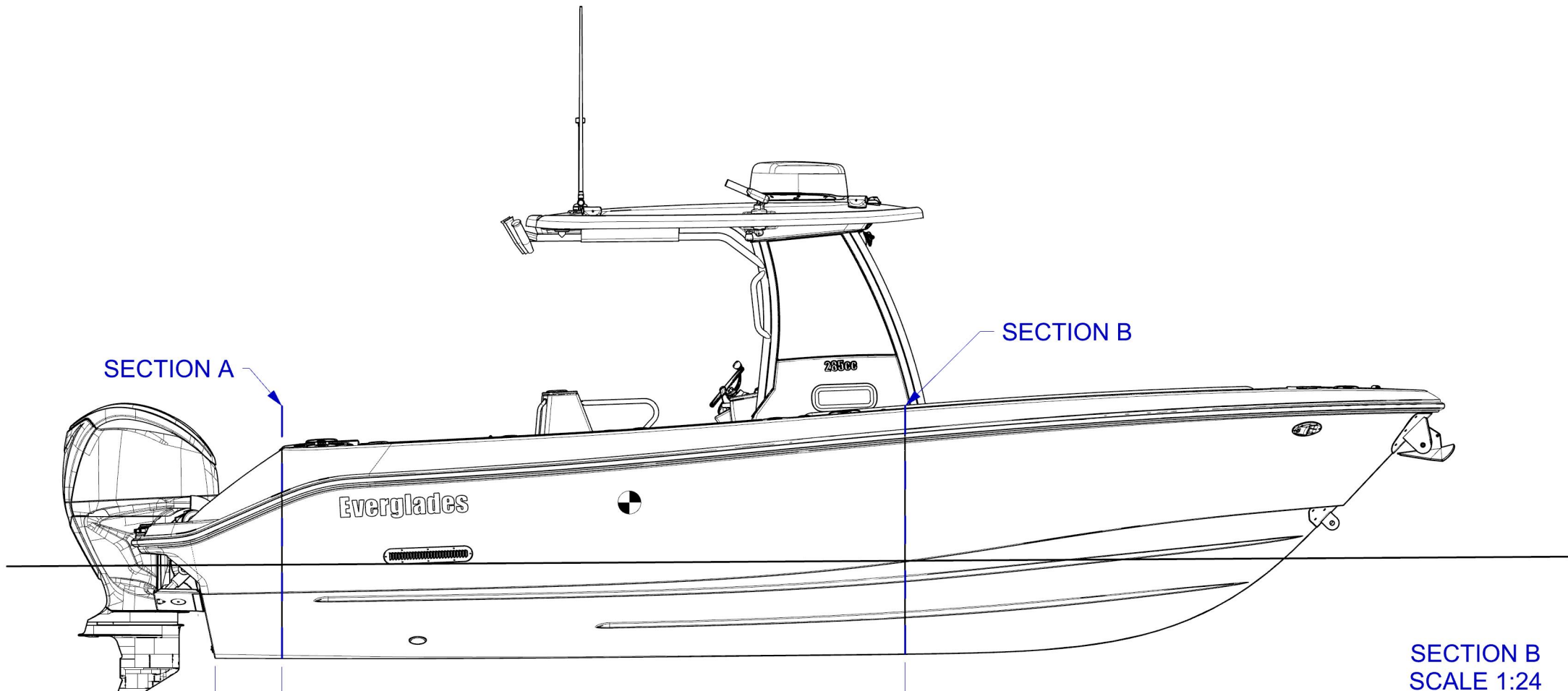
2/21/2019

A

B

C

D



Drawn by:
Z. EDMUNDS

Appr by:
CW

Chkd by:

Dwg No:
285-M-1

Sheet:
2 OF 2

Scale:
1:36

Date:
6/10/2022

Title:
GRAVING PLAN

Model:
285CC

Part No.

1

2

3

4

5

6