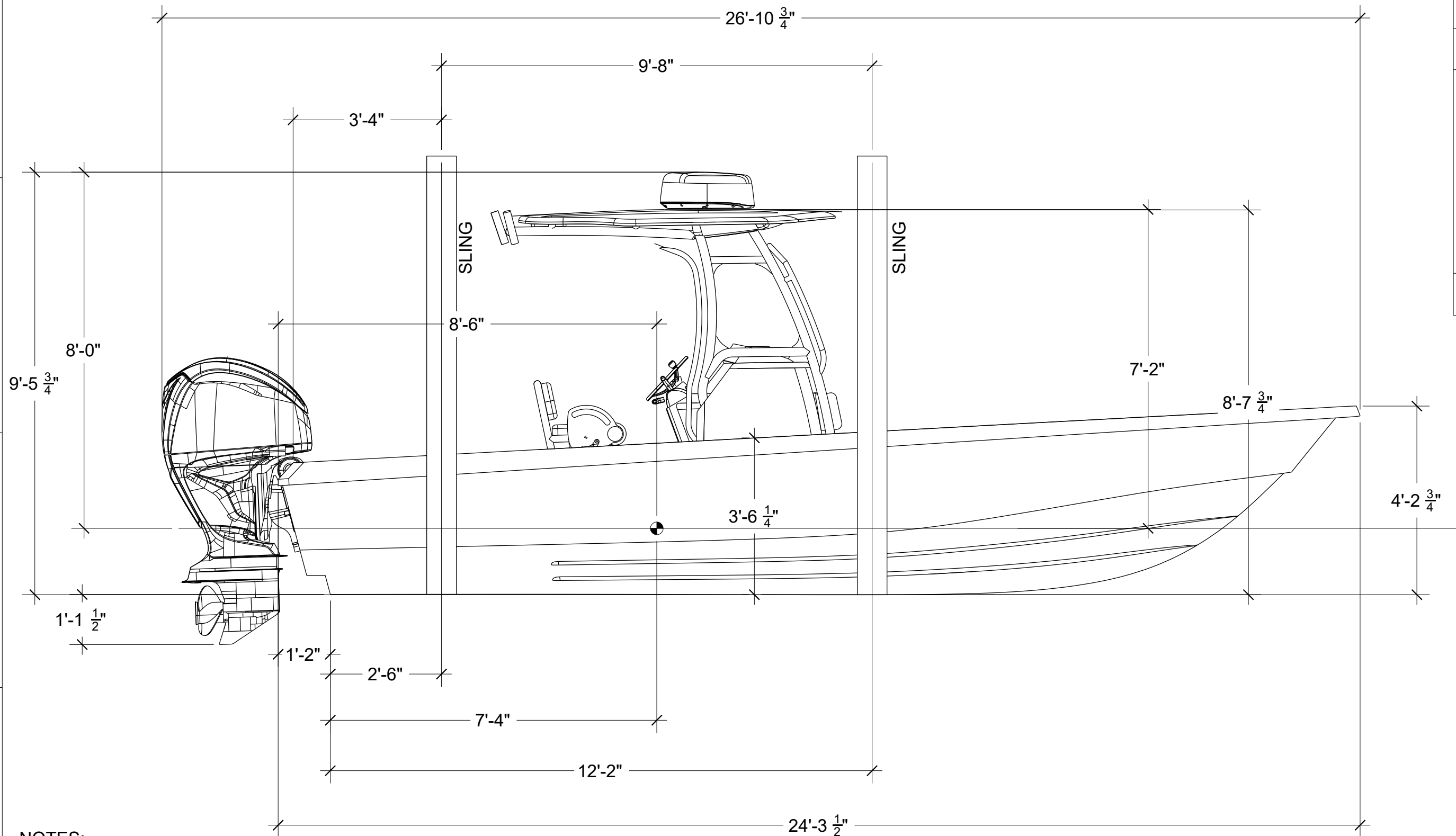


STANDARD HARDTOP WITH OPTIONAL RADAR



- NOTES:  
 1) APPROXIMATE DRY WEIGHT 4750 WITH YAMAHA 300HP  
 2) WEIGHT WITH OPTIONS FULL FUEL & FRESH WATER 5650  
 3) BEAM OVERALL IS 8' 2"  
 4) SOME OPTIONAL FEATURES NOT SHOWN (JACKPLATE, POWERPOLE, ETC)

DESCRIPTION DATE HULL APPR BY

**EVERGLADES**  
 RJ Dougherty Associates  
 544 S Airpark rd.  
 Edgewater, FL 32132-3043  
 386-4092202

REV

Drawn by: **C.PASONSKI**  
 Appr by: **CW**  
 Chkd by:

Dwg No: **243-M-2**  
 Sheet: **1 OF 2**

Scale:  
 Date: **11/20/2023**

Title: **GRAVING PLAN**  
 Model: **243 CC**  
 Part No.

1

2

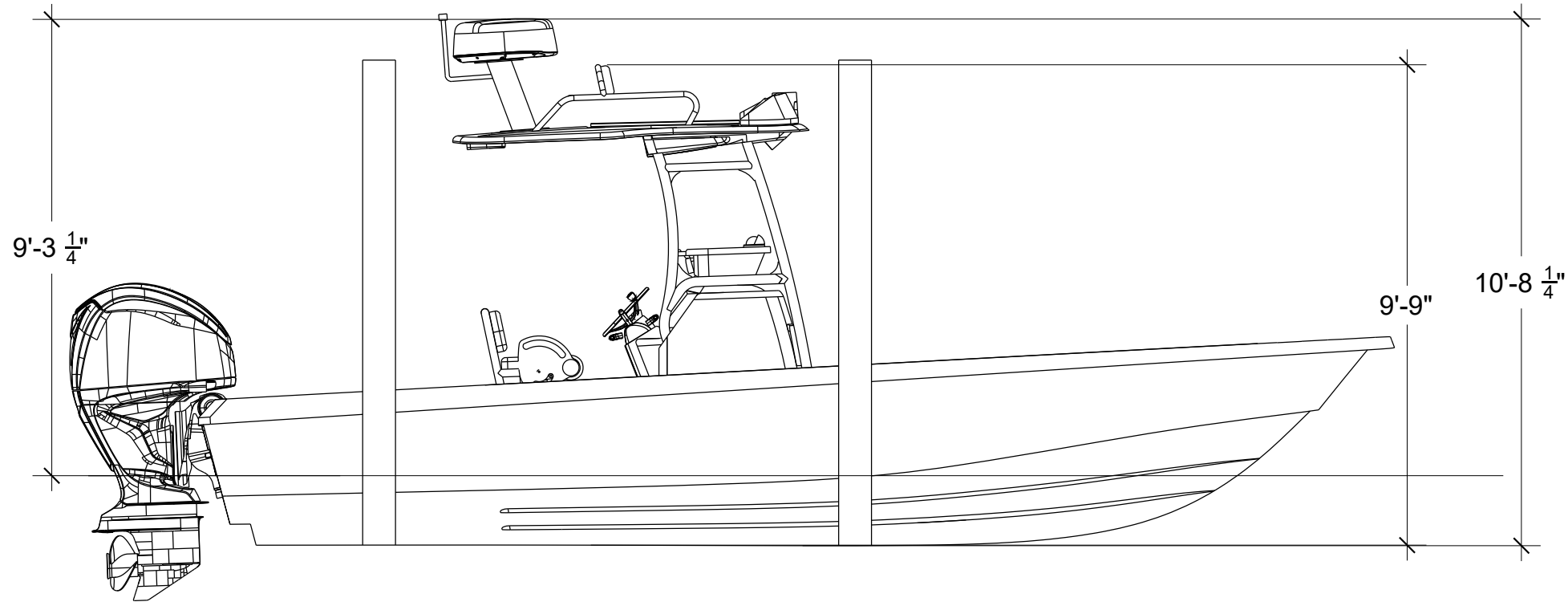
3

4

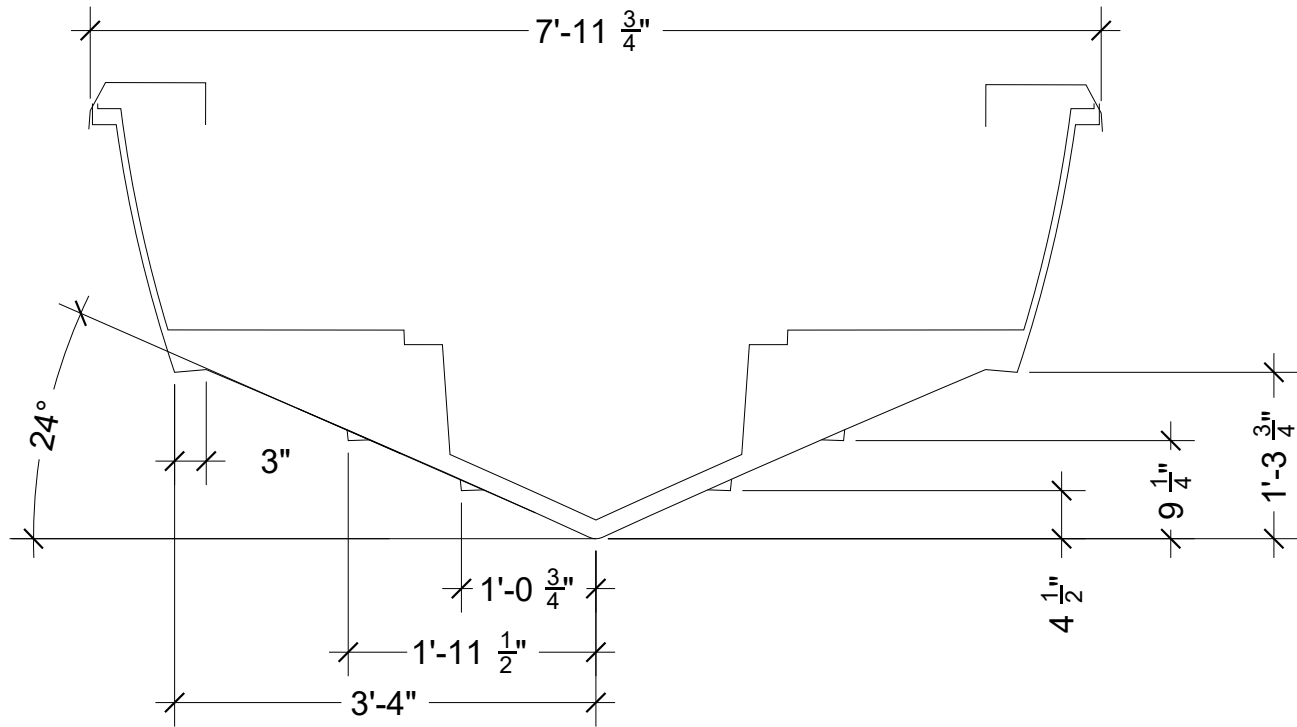
5

6

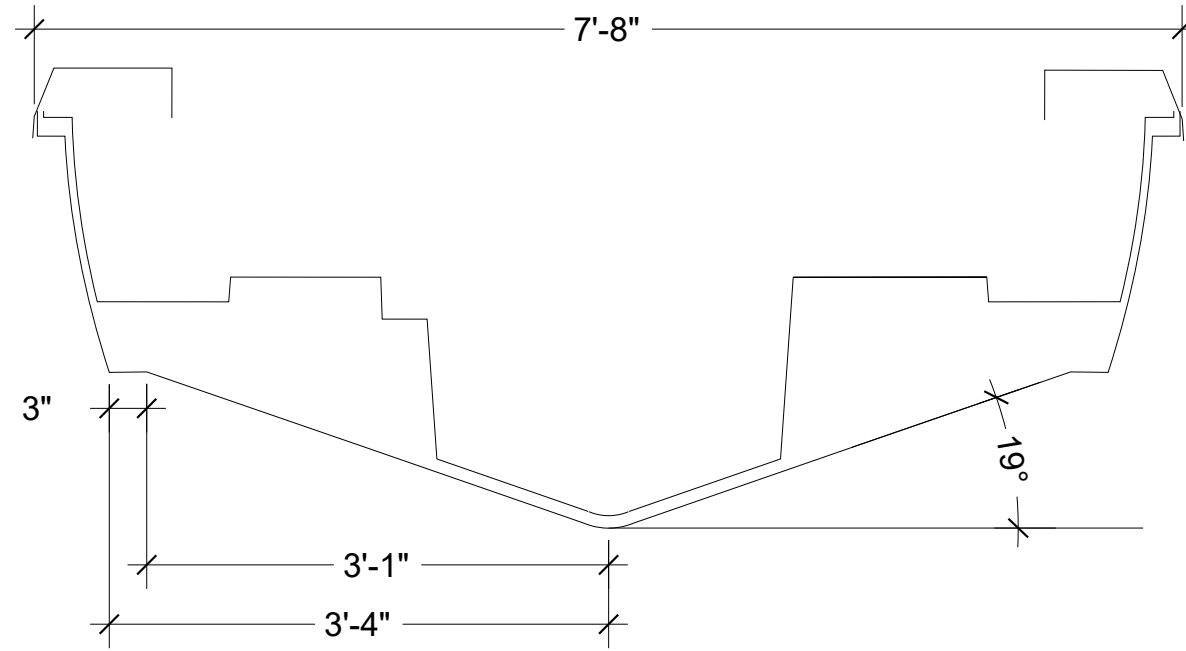
OPTIONAL UPPER STATION WITH OPTIONAL RADAR



SECTION AT MIDSHIPS



SECTION AT TRANSOM



REV	DESCRIPTION	DATE	HULL	APPR BY

**EVERGLADES**  
**RJ Dougherty Associates**  
 544 S Airpark rd.  
 Edgewater, FL 32132-3043  
 386-4092202

Drawn by: <b>C.PASONSKI</b>	Chkd by:
Appr by: <b>CW</b>	

Dwg No: <b>243-M-2</b>	Sheet: <b>2 OF 2</b>
---------------------------	-------------------------

Scale:	Date: <b>11/20/2023</b>
--------	----------------------------

Title: <b>GRAVING PLAN</b>	Part No.
Model: <b>243 CC</b>	

1

2

3

4

5

6