

- NOTES:
- 1) APPROXIMATE DRY WEIGHT WITH QUAD YAMAHA 425HP ENGINES IS 28,000 POUNDS
 - 2) APPROXIMATE WEIGHT WITH FULL FLUIDS AND 2ND STATION IS 33,500 POUNDS
 - 3) APPROXIMATE LOCATION OF THE CENTER OF GRAVITY WITH FULL FLUIDS IS SHOWN
 - 4) DRAFT SHOWN AT HALF FLUIDS WITH OPTIONS

REV	DESCRIPTION	HULL DATE	JSE APPR BY
A	ADDED SHEET 3 SHOWING FOLDED SECOND STATION HEIGHT AND DRAFT. ADJUSTED CENTER OF GRAVITY	1 5-5-21	

EVERGLADES
RJ Dougherty Associates
544 S Airpark rd.
Edgewater, FL 32132-3043
386-4092202

Title:	GRAVING PLAN		Dwg No: 455-611-01	Scale: 1:48	Date: 5/5/2021	Drawn by: CLW	Appr by:	Chkd by:
	Model: 455CC	Part No.						

1

2

3

4

5

6

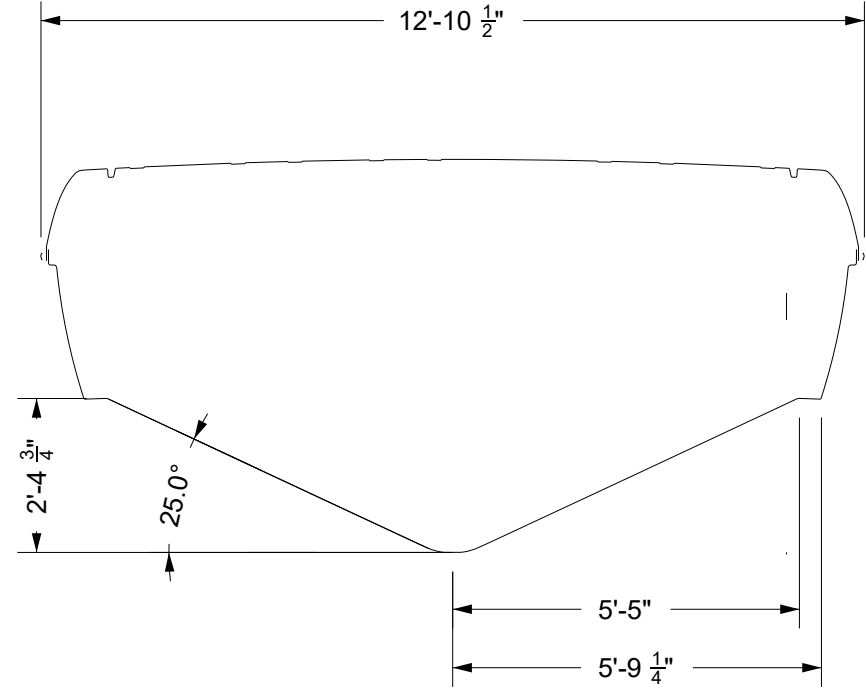
A

B

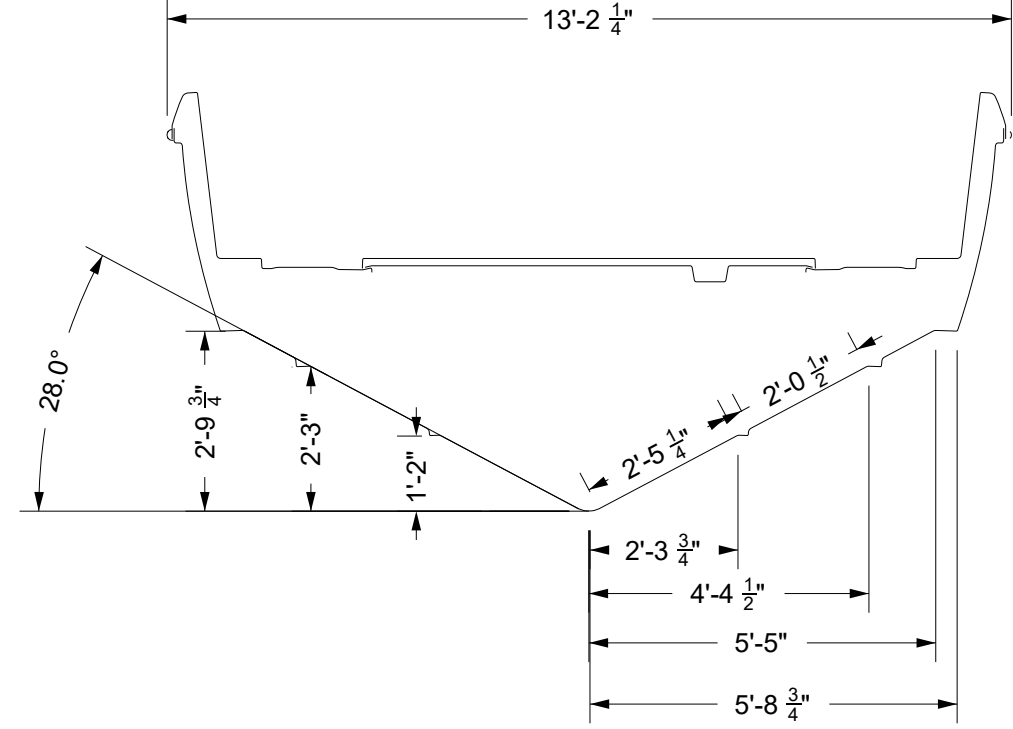
C

D

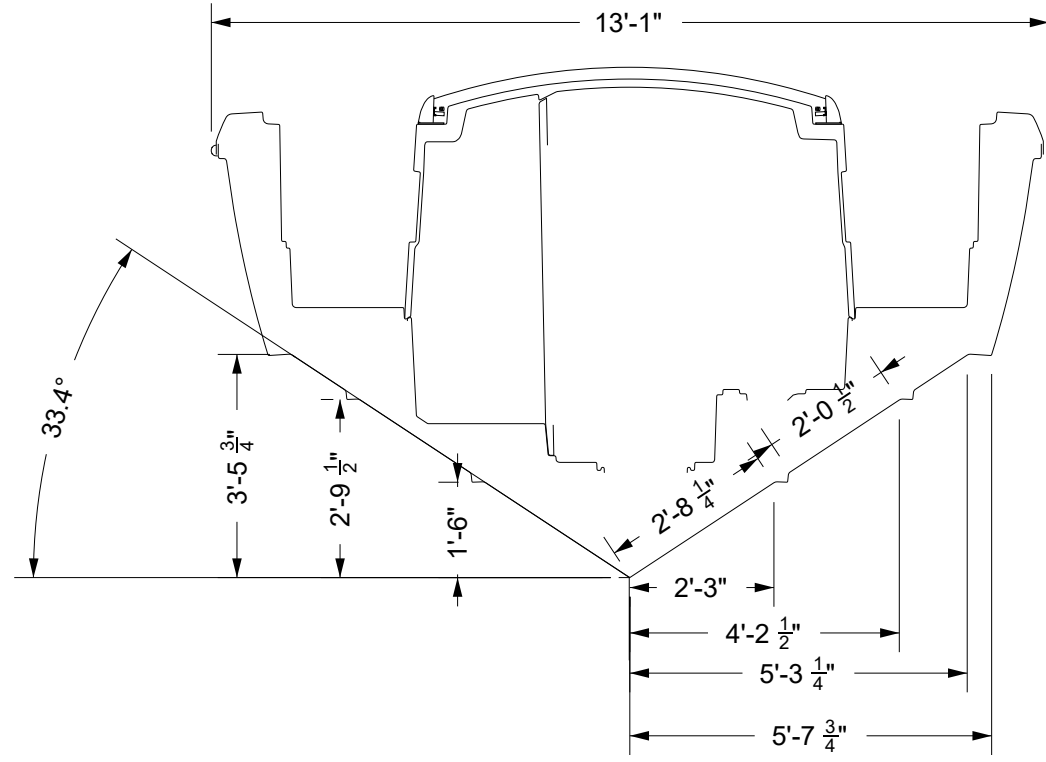
SECTION A-A



SECTION B-B



SECTION C-C



REV	DESCRIPTION	HULL	DATE	JSE
A	ADDED SHEET 3 SHOWING FOLDED SECOND STATION HEIGHT AND DRAFT. ADJUSTED CENTER OF GRAVITY	1	5-5-21	

EVERGLADES
RJ Dougherty Associates
 544 S Airpark rd.
 Edgewater, FL 32132-3043
 386-4092202

Drawn by: CLW
 Appr by: Chkd by:

Dwg No: 455-611-01
 Sheet: 2 OF 3

Scale: 1:48
 Date: 5/5/2021

Title: GRAVING PLAN
 Model: 455CC
 Part No.

1

2

3

4

5

6

1

2

3

4

5

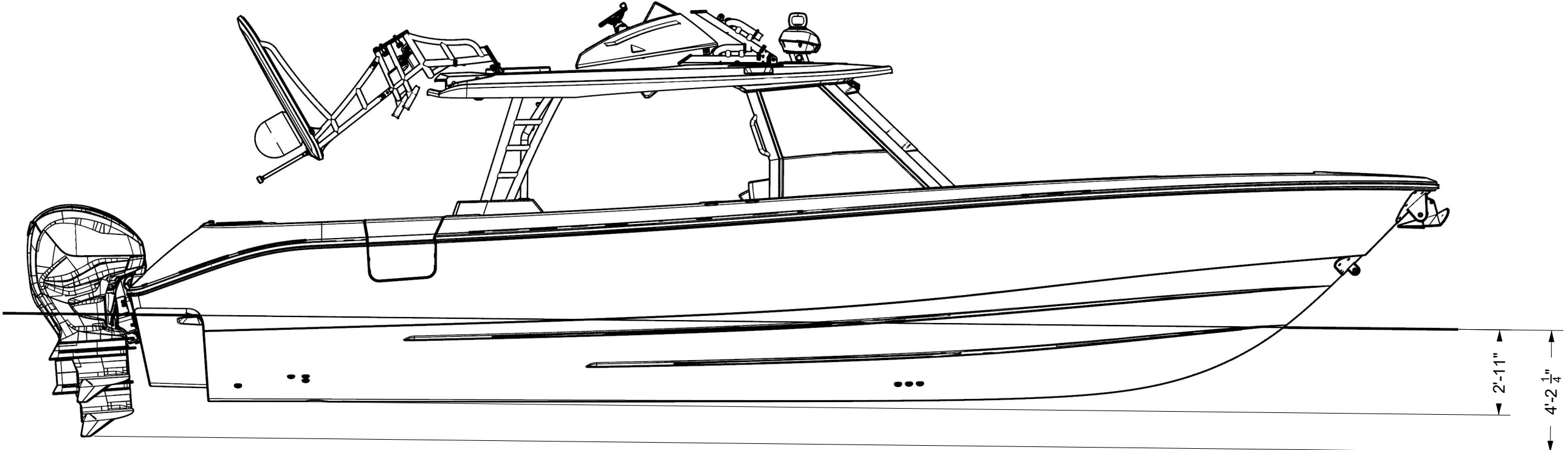
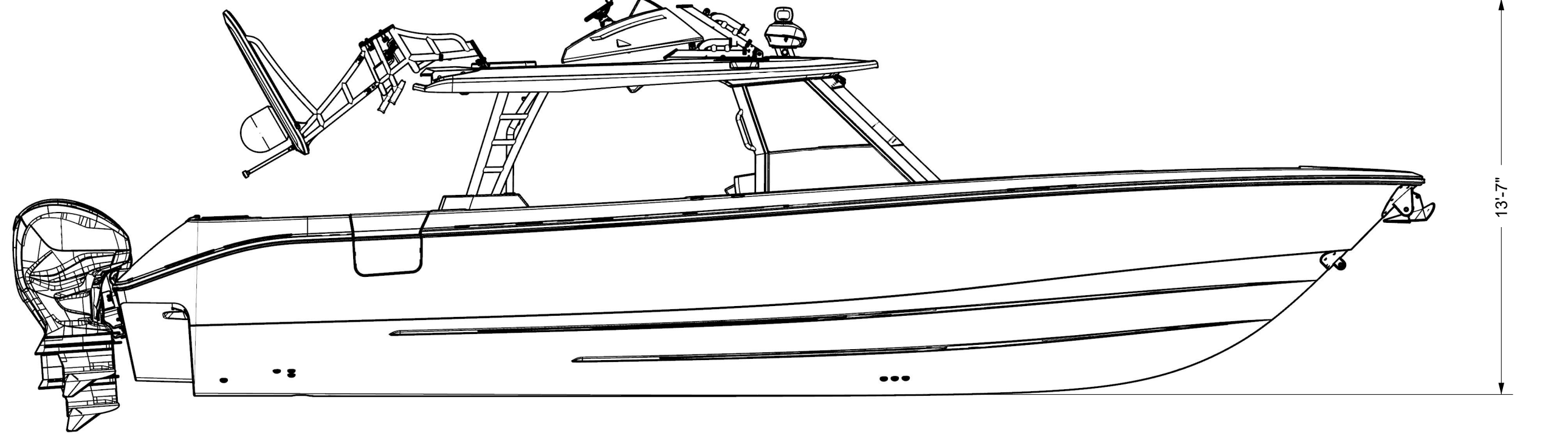
6

A

B

C

D



REV	DESCRIPTION	HULL NO.	DATE	APPR BY
A	ADDED SHEET 3 SHOWING FOLDED SECOND STATION HEIGHT AND DRAFT. ADJUSTED CENTER OF GRAVITY	1	5-5-21	JSE

EVERGLADES
RJ Dougherty Associates
544 S Airpark rd.
Edgewater, FL 32132-3043
386-4092202

Title: GRAVING PLAN		Dwg No: 455-611-01		Scale: 1:48	
Model: 455CC		Sheet: 3 OF 3		Date: 5/5/2021	
Part No.		Appr by:		Chkd by:	
Drawn by: CLW					

1

2

3

4

5

6