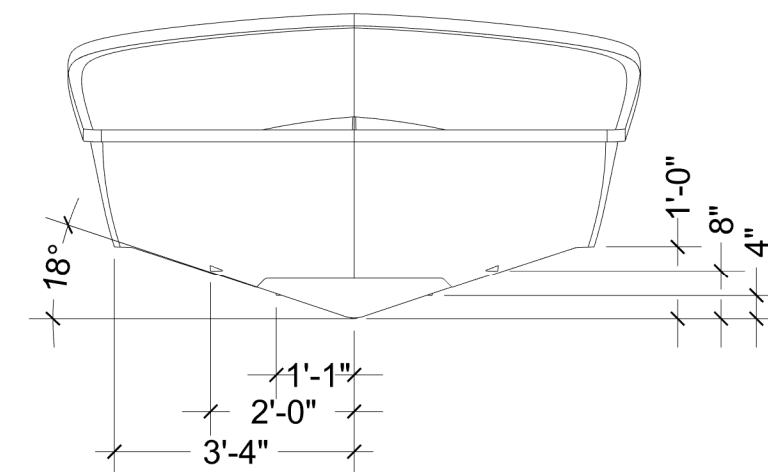


5200 lbs FULL FUEL & WATER  
1 x 300 Yamaha



STRAKES 2" WIDE AT AFT MOST POINT

Title/Part number: GRAVING PLAN	Model: 243 CC	Scale: NTS	Date: 6/27/15	Name: RB
------------------------------------	------------------	---------------	------------------	-------------

**Everglades**

**RJ Dougherty Associates**  
544 S Airpark rd.  
Edgewater, FL 32132-3043  
386-4092202

This document and the information contained herein are the exclusive property of R.J. Dougherty & Associates. This document may not be copied, disclosed, or distributed in any manner without written consent from R.J. Dougherty and associates.